

# ISO A COUPLINGS

## QAM & QAF SERIES

### ISO 7241:2014 SERIES A

### QUICK-RELEASE (PULL-BREAK) HYDRAULIC COUPLINGS



#### INTRODUCTION

Fluid Connectors' QAM/QAF Series, ISO.A quick-release couplings, are the ideal choice where a tough, durable product of superior quality is required. They are perfectly suited to industrial and agricultural applications. A poppet valve is used to minimise the pressure drop characteristics and provide a positive sealing arrangement.

#### FEATURES

- ✓ Operating Temperatures (with NBR seals): -40°C to 106°C
- ✓ Positive, quick connection ensured by the snap-together locking ball system.
- ✓ Poppet valves have balanced springs and calibrated oil flow passages to minimise the pressure drop.
- ✓ Bi-directional Flow
- ✓ Optional zinc nickel plating provides good corrosion resistance (1200 hours with no red rust in salt spray tests)

#### MATERIALS

Trivalent plated, heat treated carbon steel with nitrile seals. Replacement seal kits for the female coupler are available on request (OR-QAF-...). FKM seals are available on request. Zinc-Nickel plating available on request (...ZnNi).

Performance Characteristics	Body Size							
	1/4"	3/8"	1/2"	3/4"	1"	1-1/4"	1-1/2"	2"
Maximum Working Pressure (Coupled)	400 Bar	350 Bar	320 Bar	300 Bar	250 Bar	250 Bar	230 Bar	170 Bar
	5800 PSI	5075 PSI	4640 PSI	4350 PSI	3625 PSI	3625 PSI	3335 PSI	2465 PSI
Burst Pressure (Coupled)	2200 Bar	1800 Bar	1500 Bar	1300 Bar	1200 Bar	1200 Bar	1000 Bar	800 Bar
	31900 PSI	26100 PSI	21750 PSI	18850 PSI	17400 PSI	17400 PSI	14500 PSI	11600 PSI
Burst Pressure (Male)	1900 Bar	1700 Bar	1500 Bar	1300 Bar	1100 Bar	1200 Bar	1000 Bar	800 Bar
	27550 PSI	24650 PSI	21750 PSI	18850 PSI	15950 PSI	17400 PSI	14500 PSI	11600 PSI
Burst Pressure (Female)	1800 Bar	1600 Bar	1400 Bar	1200 Bar	1000 Bar	1150 Bar	900 Bar	750 Bar
	26100 PSI	23200 PSI	20300 PSI	17400 PSI	14500 PSI	16675 PSI	13050 PSI	10875 PSI
Rated Flow	3 L/min	23 L/min	45 L/min	106 L/min	189 L/min	288 L/min	379 L/min	757 L/min
	0.8 GPM	6.1 GPM	12 GPM	28 GPM	50 GPM	76 GPM	100 GPM	200 GPM

✓ The right connector  
✓ The right price

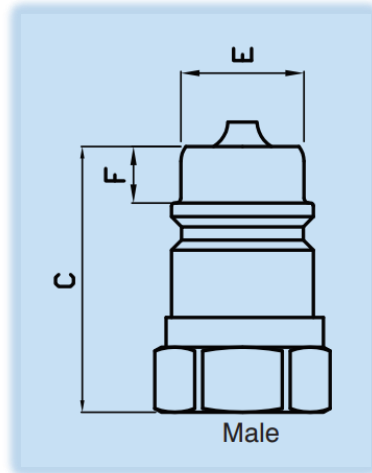
[www.fluidconnectors.com](http://www.fluidconnectors.com)

NZ: +64 9 274 4830  
AU: +61 8 9244 8266



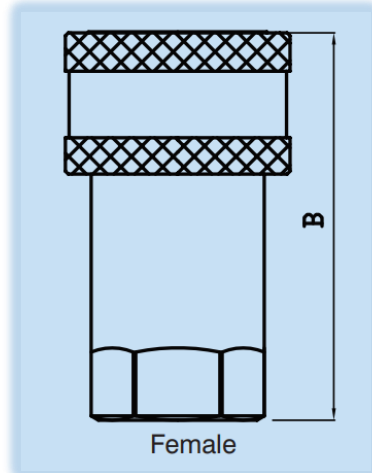
### Dimensions

Male Coupler (QAM)

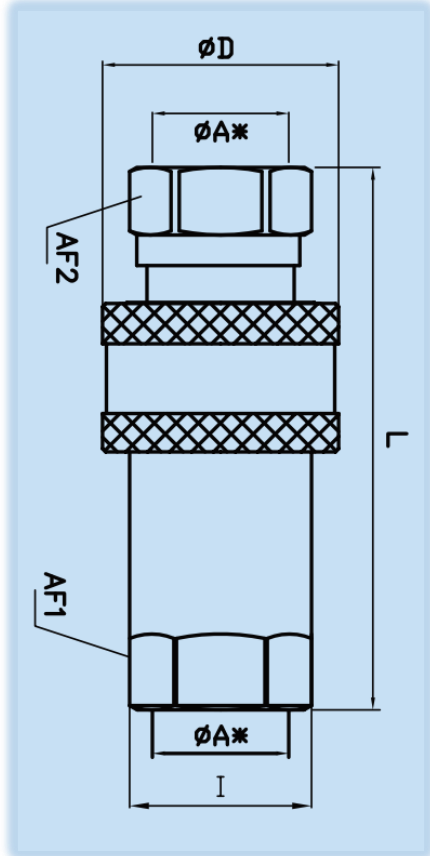


Male

Female Coupler (QAF)



Female



Part Number	Body Size	$\phi A$ (Thread)*	C	E	F	AF2 (hex)	L
QAM-BPF-0404	1/4"	1/4" BSPP F	36	11.8	5.5	19	71.5
QAM-BPF-0606	3/8"	3/8" BSPP F	36.5	17.3	8.9	22	75.2
QAM-BPF-0808	1/2"	1/2" BSPP F	43.5	20.5	9.3	27	88.1
QAM-BPF-1212	3/4"	3/4" BSPP F	57	29.1	16	35	110.2
QAM-BPF-1616	1"	1" BSPP F	60	34.3	20	41	120
QAM-BPF-2020	1-1/4"	1-1/4" BSPP F	75	44	24	50	150
QAM-BPF-2424	1-1/2"	1-1/2" BSPP F	84	55	30.7	60	168.1
QAM-BPF-3232	2"	2" BSPP F	105	65.1	35	75	210.2

\*Alternative threads (NPTF, UN) available on request for both male and female couplers

Part Number	Body Size	$\phi A$ (Thread)*	B	$\phi D$	I	AF1 (hex)	L
QAF-BPF-0404	1/4"	1/4" BSPP F	50	26	22	19	71.5
QAF-BPF-0606	3/8"	3/8" BSPP F	56	32.4	24	22	75.2
QAF-BPF-0808	1/2"	1/2" BSPP F	66	38	30	27	88.1
QAF-BPF-1212	3/4"	3/4" BSPP F	80	48	38	34	110.2
QAF-BPF-1616	1"	1" BSPP F	94.5	56	45	41	120
QAF-BPF-2020	1-1/4"	1-1/4" BSPP F	117	69.2	56	50	150
QAF-BPF-2424	1-1/2"	1-1/2" BSPP F	133	84	66	60	168.1
QAF-BPF-3232	2"	2" BSPP F	164	98.6	83.3	75	210.2

All dimensions in mm unless otherwise stated. Dimensions shown are for guidance only, if critical contact FC staff.

✓ The right connector  
✓ The right price

[www.fluidconnectors.com](http://www.fluidconnectors.com)

NZ: +64 9 274 4830  
AU: +61 8 9244 8266

